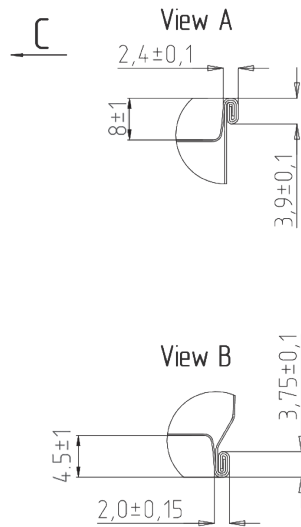
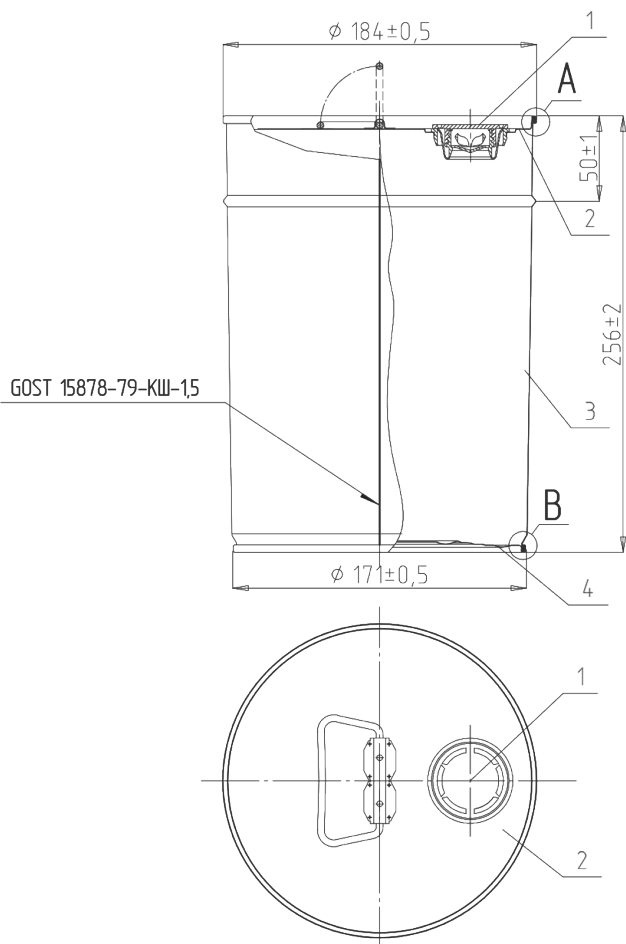


UN PAIL Ø180mm, Ø240mm



*Sizes as a reference
Position of the welded seam relative to the pull spout is not regulated.
Seaming of the edges is performed by triple bottom seaming.

Designation	Pallet size	Quantity	Height of pallet, mm	TOTAL weight, kg
Ø 180 5 litre conical drum Y2,0	1200x800 mm	96	1166 ± 20	≈ 65
Ø 240 10 litre conical drum Y2,0	1200x1000 mm	60	950 ± 20	≈ 50